

GHES3D-E190 3-Way Adjustable Concealed Hinge

Door width (max 900) · Door height (max 2400) · Door thickness (min 38)
Door weight (max 100kg with 2 pcs) or (max 125kg with 3 pcs)

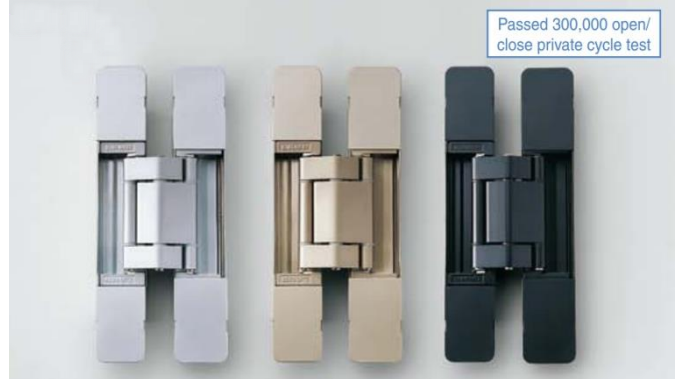
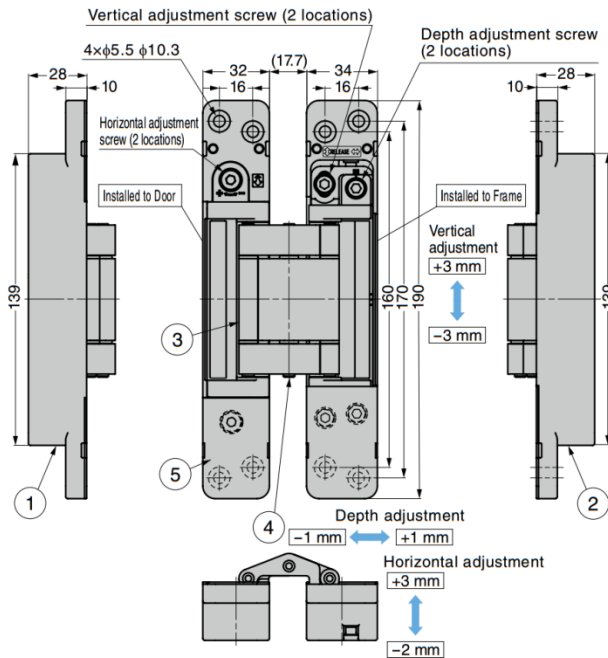
Features

- Small bore depth for compact assembly
- 3-way adjustment function allows vertical, horizontal, and depth adjustment after hinge installation
- Easy installation: Hinge can be split into the door side and the frame side and has temporary door holding feature
- Unique seven link structure helps to prevent door from sagging
- Custom colours available on request
- Can be used in combination with door damper / door closers, contact your nearest [Gripwell](http://www.gripwell.com) team for assistance

Parts Included

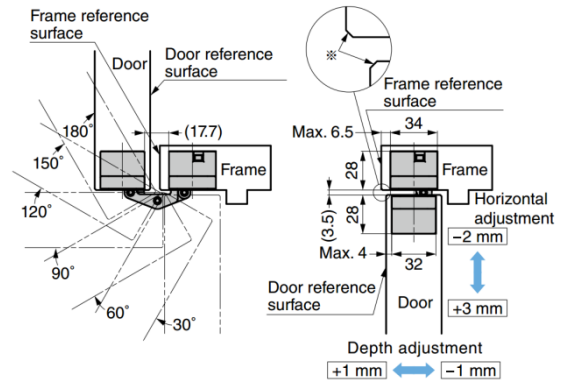
- Countersunk SUS head tapping screw 5×30 (8 pcs / hinge)
- Hex key 4

Figure below shows the state with the upper screw covers removed.

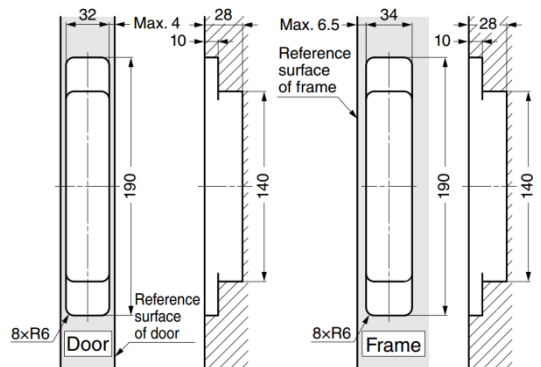


Locus Chart

Please process the part (corner of door/frame) of ※ marked on the drawing to C1 or more (or R1 or more).



Cut Out Dimensions



No.	Part Name	Material	Finish / Colour		
			DC	DN	BL
①	Body	Zinc Alloy (ZDC)	Satin Chrome	Dull Nickel	Black Enamel Finish
②	Base Frame				
③	Arm	Aluminium Alloy			
④	Shaft	Stainless Steel	Plain	Plain	Plain
⑤	Cover (2 pairs)	ABS	Satin Chrome	Dull Nickel	Black

Part No.	Colour	Door Width	Door Height	Door Thickness	Opening Angle	Door Weight
GHES3D-E190DC	Silver	Max. 900	Max. 2400	Min. 38	180°	Max. 100 kg / 2 pcs Max. 125 kg / 3 pcs
GHES3D-E190DN	Champagne Gold					
GHES3D-E190BL	Black					

Additional Information

Installation & Adjustment Procedure Using Temporary Holding Feature

- By using the temporary holding feature, you can easily install the door with one person:
 1. Remove screw covers and vertical adjustment screws to split the hinge into the hinge body and base frame as shown in Figure A.
 2. Secure the hinge body (the side with manufacturer logo) to the bored hole of the door and the base frame to the bored hole of the frame with mounting screws respectively.
 3. Push the hinge body horizontally into the base frame as shown in Figure B.
 4. The temporary holding feature holds the door in the frame even if you loosen your hands after pushing it in.
 5. Replace and temporarily tighten the vertical adjustment screws that were removed in Step 1.
 6. Adjust the door positions in order one by one.
 7. Loosen the vertical adjustment screws by one turn, and adjust the vertical position of the door.
 8. After adjusting the vertical position, tighten the vertical adjustment screws.
 9. Loosen the depth adjustment screws by one turn, and adjust the depth position of the door.
 10. After adjusting the depth position, tighten the depth adjustment screws.
 11. Turn the horizontal adjustment screws to adjust the horizontal position of the door. To do this, turn the left and right adjustment screws little by little, respectively. Turning them by force may cause failure or damage.
 12. Finally, replace the screw covers to complete.

Figure A: Exploded View

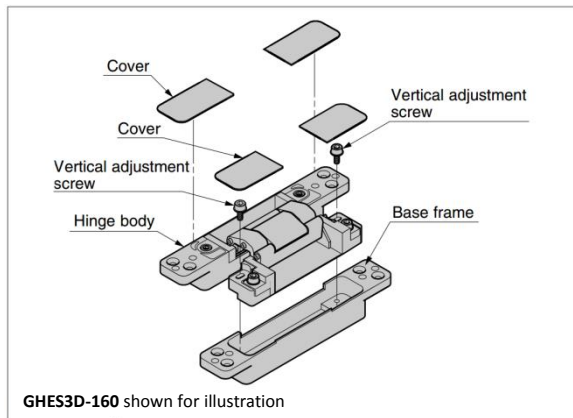


Figure B: Installation

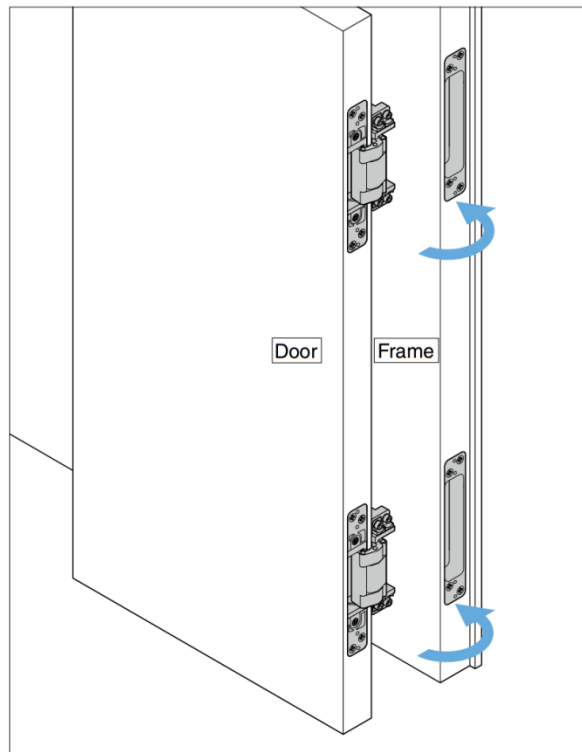
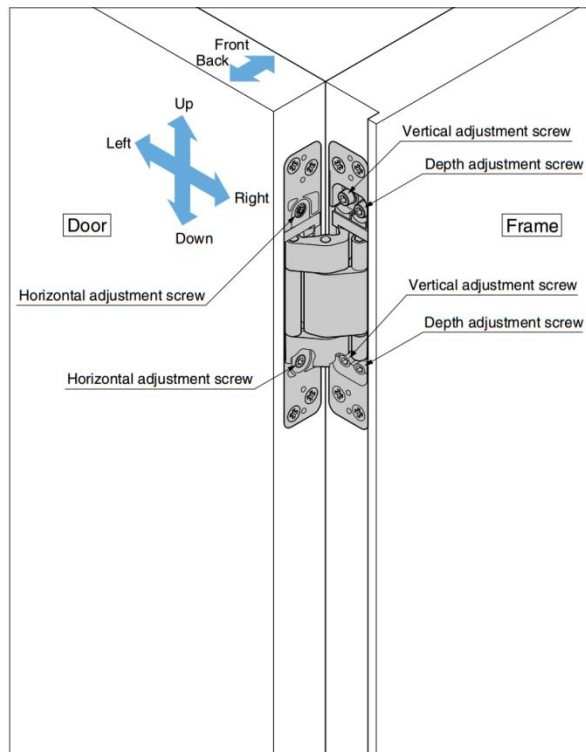


Figure C: Adjustment Screws

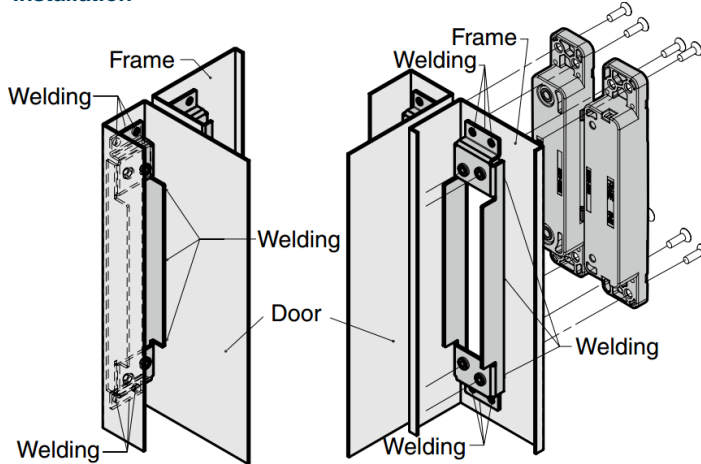


GHE3D-E190BKT Bracket for Sheet Metal

Notes

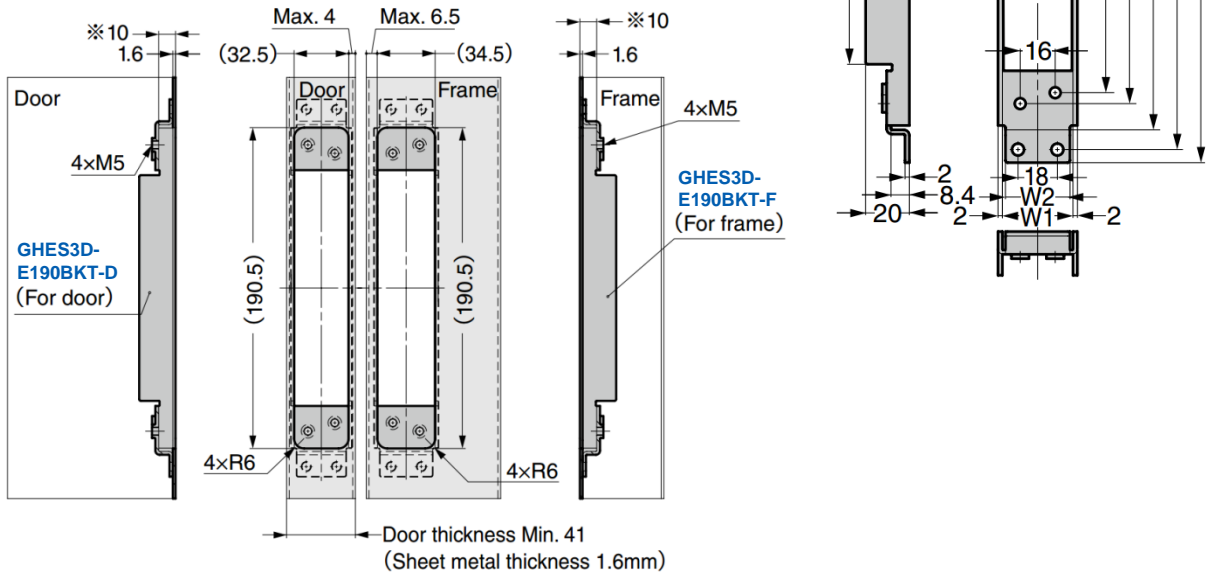
- Brackets for installing **GHE3D-E190** to steel door and steel frame
- When the sheet metal thickness of the installation side is 1.6 mm, screw cover surface becomes flush with cabinet surface. The surface may slightly protrude or retract, depending on the board thickness of the installation side.
- As a general-purpose bracket, additional processing may be required for the door and frame of the installation side and the bracket during installation.

Installation



Cut Out Dimensions

※Dimensions in case of 1.6 mm thick sheet metal.



Part No.	Description	Material	Finish	W1	W2
GHE3D-E190BKT-D	For Door	Steel (SPCC)	Coloured Zinc Chromate (Trivalent)	32.3	29.5
GHE3D-E190BKT-F	For Frame			34.3	31.5

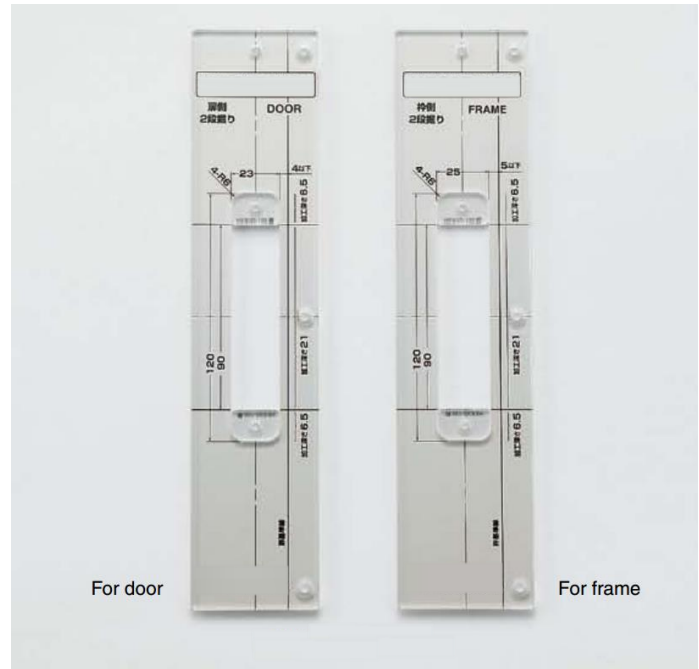
GHE3D-TMP Installation Template

Features

- Installation template for concealed hinge **GHE3D** series
- Easy to cut out door and frame with a router
- Can be reused due to acrylic resin material

Notes

- Sold in pairs (for door and frame)



Part No.	Applicable Hinge	Material	Colour
GHE3D-120-TMP	GHE3D-120	PMMA	Clear
GHE3D-160-TMP	GHE3D-160		
GHE3D-E190-TMP	GHE3D-E190		
GHE3D-V135-TMP	GHE3D-V125LGR		

GHE3D / HES Colour Customization

Custom colours available on request, contact your nearest [Gripwell](http://www.gripwell.com.sg) team for assistance!

